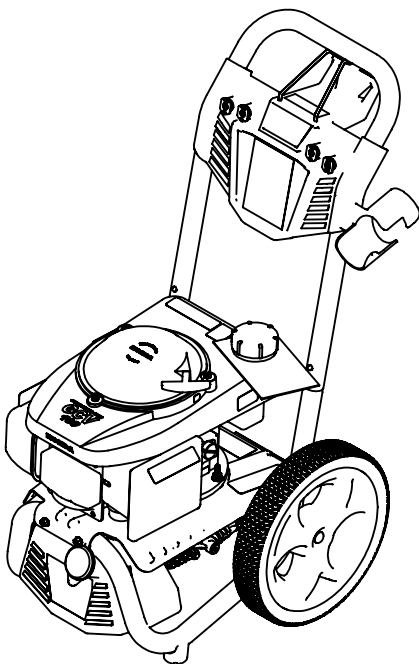
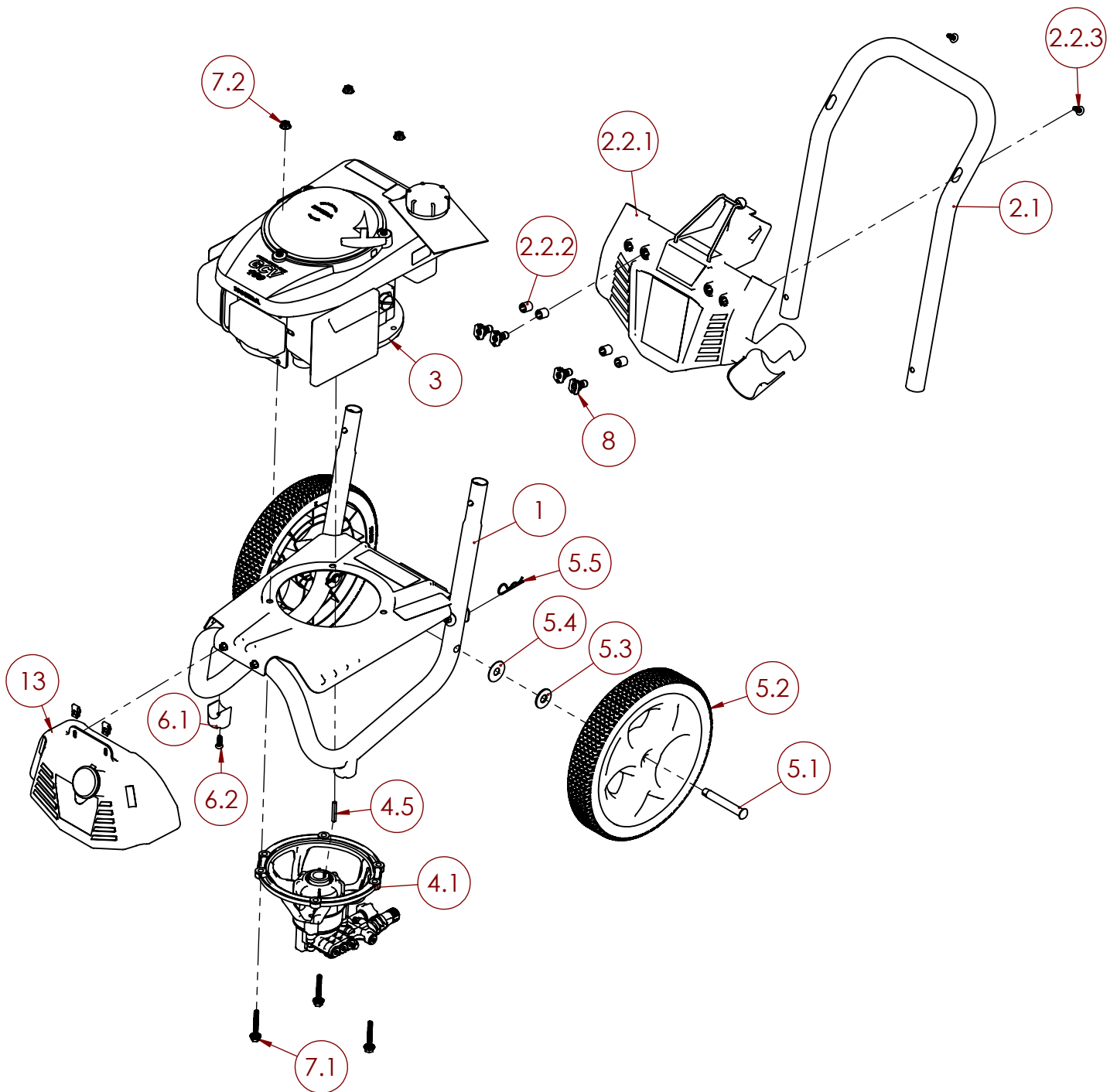


ITEM	PART NO	DESCRIPTION	QTY.
1	7108373	KIT, BASE FRAME SERVICE ASSEMBLY	1
2	7109084	KIT, HANDLE SVC ASSY MS60805 W/BONNET	1
† 2.1		HANDLE, TUBE F/BLACK (MSV3024) 18 GA.	1
2.2	7109079	KIT, BONNET SERVICE ASSEMBLY MS60805	1
† 2.2.1		BONNET/DASHBOARD ASSY UNIVERSAL 12" C-C	1
2.2.2	7105880	NOZZLE HOLDER INSERT .610[15.5] X .630[16.0]	4
† 2.2.3		SCREW, 1/4"-20 x 3/4" PHIL TAPTITE ZINC	2
3	7106479	ENGINE, SVC KIT ASSY, GCV150 W/KEY	1
4	7108394	PUMP, SVC ASSY 2800@2.3 W/O PB 11 DEG WOBBLE P	1
† 4.1	510015	PUMP, 2800@2.3 W/O PB 11 DEG WOBBLE PLATE	1
4.2	7104122	CAP, UNLOADER COVER 1 1/2" x 5/8" BLACK	1
† 4.3		BOLT, FLANGE 5/16"-18	3
† 4.4		NUT, WHIZ 5/16"-18	3
4.5	7101506	KEY, SHAFT 3/16 X 3/16 X 1-1/2	1
* † 4.6		FILTER, SOAP W/O CHECK PLASTIC	1
* † 4.7		HOSE, SOAP CLEAR 5.7MM x 8.9MM OD	1
5	7106790	WHEEL KIT	2
† 5.1		AXLE, STUB .525" x 3.655" ROUND HEAD ZN	1
† 5.2		PRESSURE WASHER WHEEL ASSEMBLIES 12" X 2"	1
† 5.3		WASHER, 1/2 FLAT SAE THROUGH HARDENED	1
† 5.4		WASHER, 1/2 X 1.50 FENDER, ZINC PLATED	1
† 5.5		COTTER PIN, 1/4-1/2" X 1/16 X 1-3/8 STL	1
6	7105468	FOOT, SVC KIT FITTED RUBBER AND SCREW	2
† 6.1		FOOT, RUBBER 1.50 OD BLACK	1
† 6.2		SCREW, TORX PANHEAD TT 1/4"-20 X 3/4"	1
7	7106904	HARDWARE KIT, PUMP MOUNT	1
† 7.1		BOLT, FLANGE 5/16"-18	3
† 7.2		NUT, WHIZ 5/16"-18	3
8	7108546	NOZZLE, 4 PC 1PCSS 1/4QC 0,15,40,&PSOAP	1
9	7107956	GUN, OEM FRONT ENTRY, OF341 3400 PSI	1
10	7103550	LANCE, 16" W/ 1/4QC AND M33 (M)	1
11	7108545	HOSE, MORFLEX 1/4" x 50' x 3100PSI M22 x M22	1
12	7107745	HOSE, SOAP CLEAR 5.7MM x 8.9MM OD 13" OR 1.08FT	1
13	7108547	TANK, CHEMICAL, FRONT VERTICAL, 1 GAL	1
14	7108237	15" SURFACE SCRUBBER 3400PSI	1
* 15	7102045	TOOL, NOZZLE CLEANING, UNIVERSAL	1
* 16	7108603	MANUAL, OPERATOR'S MS60805 MODEL SPECIFIC	1
* 17	7108602	BOX, SHIPPING MS60805 MODEL SPECIFIC	1

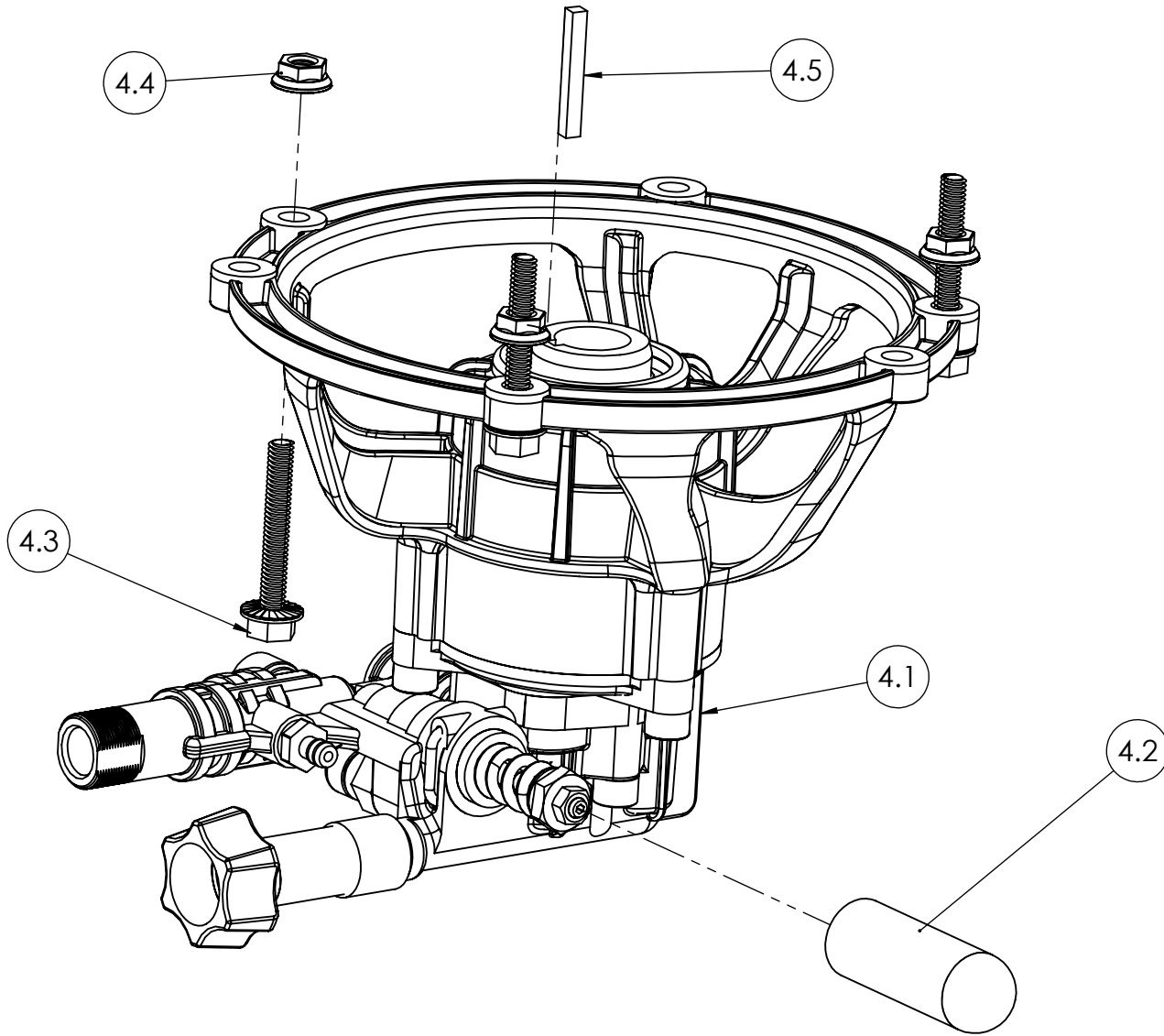
* NOT SHOWN
† NOT SOLD SEPERATELY



PUMP INFORMATION TABLE			
MACHINE SERIAL NO.	PUMP TYPE	PUMP PART NO.	PUMP KIT NO.
774973-PRESENT	2800PSI @ 2.3GPM	510015	7108394
DRAWN NAME DATE		FNA-GROUP 1265 INDUSTRIAL STREET, DECATUR, AR 72722 TITLE: MS60805 SIMPSON 3000PSI @ 2.4 GPM	
CHECKED	KDB 6/4/15		
ENG APPR.	GN 6/4/15		
MFG APPR.	SAC 6/5/15		
Q.A. APPR.	- -		
SERVICE APPR.	- -		
PROPRIETARY AND CONFIDENTIAL THE INFORMATION CONTAINED IN THIS DRAWING IS THE SOLE PROPERTY OF FNA-GROUP. ANY REPRODUCTION IN PART OR AS A WHOLE WITHOUT THE WRITTEN PERMISSION OF FNA-GROUP IS PROHIBITED.			
SIZE	DWG. NO.	REV.	
A	60805-SRV	C	
SCALE: N/A	ECN# DC16-0194	SHEET 1 OF 4	



SIZE	DWG. NO.	REV.
A	60805-SRV	C
SCALE: N/A	ECN# DC16-0194	SHEET 2 OF 4

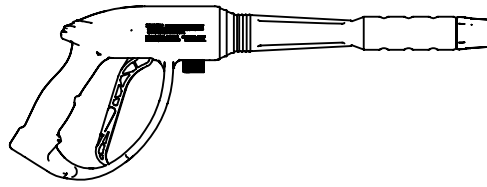


4

7108394 - PUMP, SVC ASSY 2800@2.3 W/O PB 11 DEG WOBBLE PLATE

ITEM	PART NO	DESCRIPTION	QTY.
† 4.1	510015	PUMP, 2800@2.3 W/O PB 11 DEG WOBBLE PLATE	1
4.2	7104122	CAP, UNLOADER COVER 1 1/2" x 5/8" BLACK	1
† 4.3		BOLT, FLANGE 5/16"-18	3
† 4.4		NUT, WHIZ 5/16"-18	3
4.5	7101506	KEY, SHAFT 3/16 X 3/16 X 1-1/2	1
* † 4.6		FILTER, SOAP W/O CHECK PLASTIC	1
* † 4.7		HOSE, SOAP CLEAR 5.7MM x 8.9MM OD	1

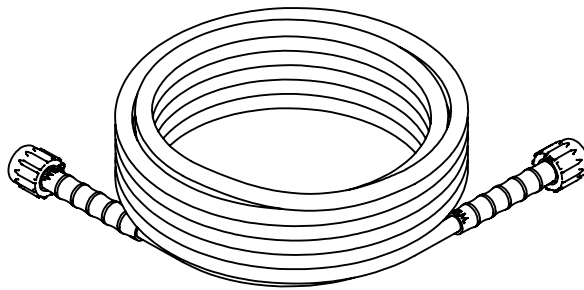
SIZE A	DWG. NO. 60805-SRV	REV. C
SCALE: N/A	ECN# DC16-0194	SHEET 3 OF 4



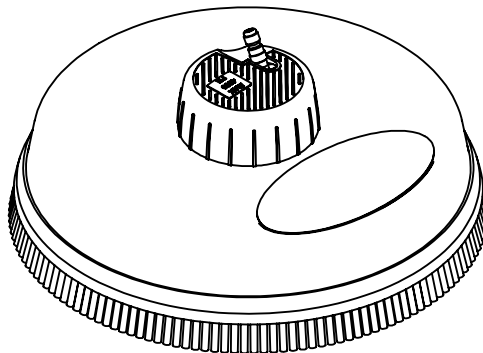
7107956 - GUN, OEM FRONT ENTRY, OF341 3400 PSI



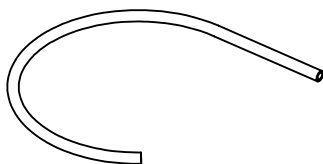
7103550 - LANCE, 16" W/1/4 QC AND M22(M)



7108545 - HOSE, MORFLEX 1/4" x 50' x 3100PSI M22 x M22



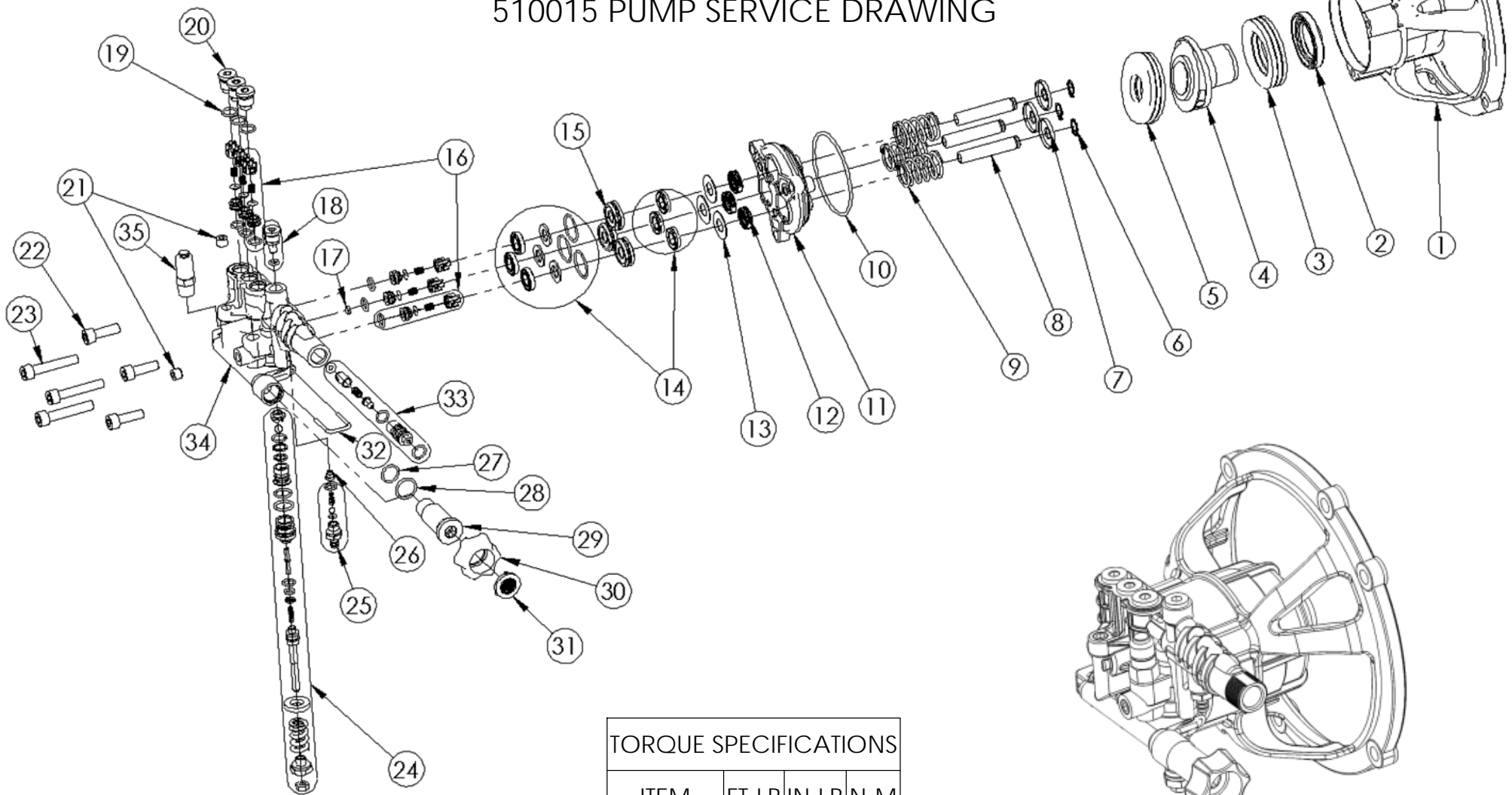
7108237 - 15" SURFACE SCRUBBER



7107745 - HOSE, SOAP CLEAR 5.7MM x 8.9MM OD 13" OR 1.08FT

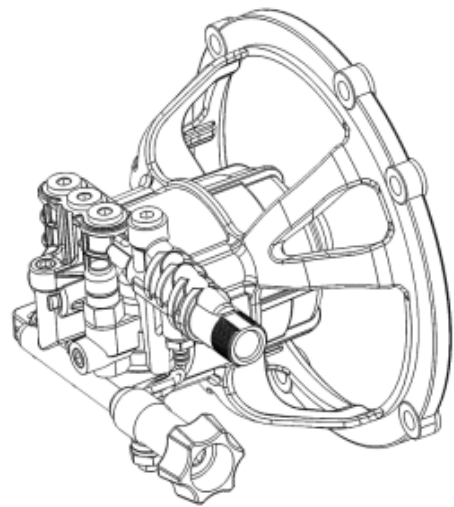
SIZE A	DWG. NO. 60805-SRV	REV. C
SCALE: N/A	ECN# DC16-0194	SHEET 4 OF 4

510015 PUMP SERVICE DRAWING



TORQUE SPECIFICATIONS

ITEM	FT-LB	IN-LB	N-M
18	13	159	18
20	13	159	18
22	16	195	22
23	18	221	25
25	10	115	13
29	13	159	18



	NAME	DATE
DRAWN	KDB	6/4/15
CHECKED	GN	6/4/15
ENG APPR	SAC	6/5/15
MFG APPR	-	-
Q.A. APPR	-	-
SERVICE APPR	-	-

FNA-GROUP
 1265 INDUSTRIAL STREET, DECATUR, AR 72722
 TITLE:
**PUMP, 2800@2.3 W/O PB
 11 DEG WOBBLE PLATE**

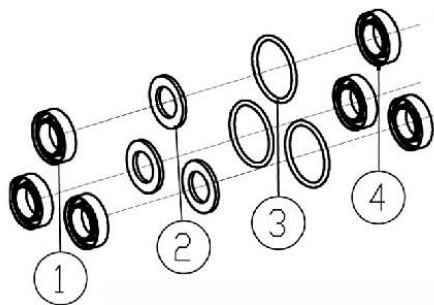
PROPRIETARY AND CONFIDENTIAL
 THE INFORMATION CONTAINED IN THIS DRAWING IS THE SOLE PROPERTY OF FNA-GROUP. ANY REPRODUCTION IN PART OR AS A WHOLE WITHOUT THE WRITTEN PERMISSION OF FNA-GROUP IS PROHIBITED.

SIZE	DWG. NO.	REV.
A	510015	B
SCALE: N/A	ECN# DC15-0061	SHEET 1 OF 5



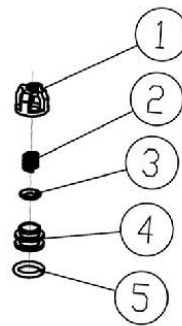
12 PART NO. 7105741

OIL SEAL KIT		
ITEM	QTY	DESCRIPTION
1	3	SEAL, OIL



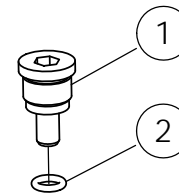
14 PART NO. 7106627

WATER SEAL KIT		
ITEM	QTY	DESCRIPTION
1	3	HIGH PRESSURE SEAL
2	3	BACK RING
3	3	O-RING
4	3	LOW PRESSURE SEAL



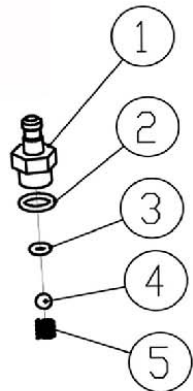
16 PART NO. 7104223

VALVE KIT		
ITEM	QTY	DESCRIPTION
1	6	VALVE CASE
2	6	SPRING
3	6	VALVE PLATE
4	6	VALVE SEAT
5	6	O-RING



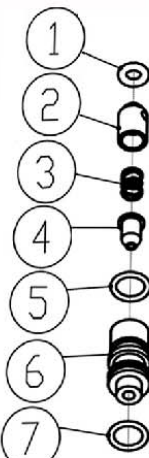
18 PART NO. 7108157

BOOST PLUG KIT		
ITEM	QTY	DESCRIPTION
1	1	BOOST PLUG
2	1	O-RING



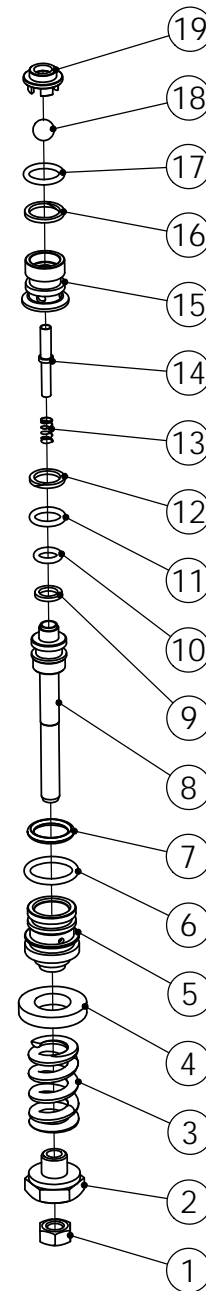
25 PART NO. 7104228

SOAP INJECTOR KIT		
ITEM	QTY	DESCRIPTION
1	1	HOSE BARB
2	1	O-RING
3	1	O-RING
4	1	STEEL BALL
5	1	SPRING



33 PART NO. 7106630

VENTURI TUBE KIT		
ITEM	QTY	DESCRIPTION
1	1	O-RING
2	1	CHECK VALVE CORE
3	1	CHECK VALVE SPRING
4	1	NOZZLE
5	1	O-RING
6	1	VENTURI TUBE
7	1	O-RING



24 PART NO. 7104226

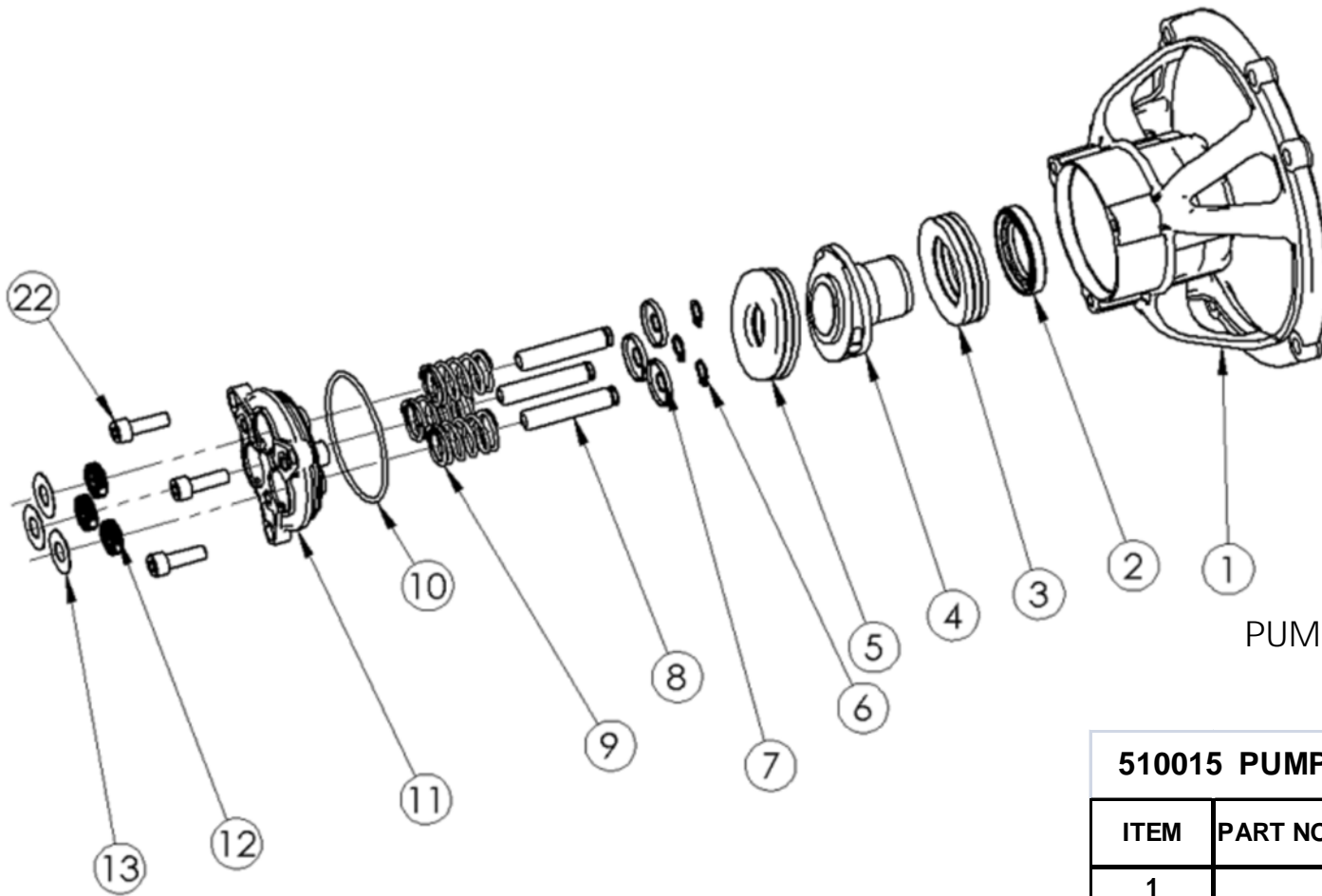
UNLOADER KIT		
ITEM	QTY	DESCRIPTION
1	1	NUT
2	1	ADJUSTING NUT
3	1	SPRING
4	1	SEATING RING
5	1	VALVE SHEATH
6	1	O-RING
7	1	O-RING
8	1	CHECKING RING
9	1	O-RING
10	1	VALVE POLE
11	1	SPRING
12	1	CHECKING RING
13	1	O-RING
14	1	PIN
15	1	UPPER SEAT
16	1	CHECKING RING
17	1	O-RING
18	1	STEEL BALL
19	1	BACK SEAT

510015 PUMP EXPLOSION DRAWING PARTS LIST

ITEM	PART NO.	PART NAME	QTY PER PUMP	COMMENT
1		Case	1	
2		Oil seal	1	
3		Thrusting Bearing 2	1	
4		Wobble Plate	1	
5		Thrusting Bearing 1	1	
6		Clip	3	
7		Spring Base	3	
8		Plunger	3	
9		Spring	3	
10		O-Ring	1	
11		Plunger Base	1	
12	7105741	Oil Seal	3	Oil Seal Kit
13	7106642	Back Ring	3	
14	7106627	High Pressure Water Seal	3	Water Seal Kit
		Back Ring		
		O-Ring		
		Low Pressure Water Seal		
15	7106643	Back Ring	3	
16	7104223	Valve Case	6	Valve Kit (INLET AND OUTLET)
		Spring		
		Valve Plate		
		Valve Seat		
17	7106644	O-Ring	1	
		O-Ring	1	
18	7108157	Boost Plug	1	Boost Plug Kit
19	7106645	O-Ring	3	
20	7106646	Plug	3	
21	7106647	Plug	2	
22	7106648	Screw	3	
23	7106649	Screw	3	

510015 PUMP EXPLOSION DRAWING PARTS LIST

ITEM	PART NO.	PART NAME	QTY PER PUMP	COMMENT
24	7104226	Nut	1	Unloader Kit
		Adjusting Nut		
		Spring		
		Seating Ring		
		Valve Sheath		
		O-Ring		
		O-Ring		
		Checking Ring		
		O-Ring		
		Valve Pole		
		Spring		
		Checking Ring		
		O-Ring		
		Pin		
		Upper Seat		
		Checking Ring		
		O-Ring		
Steel Ball				
Back Seat				
25	7104228	Nozzle	1	Soap Injector Kit
		O-Ring		
		O-Ring		
		Steel Ball		
		Spring		
26	7106650	Venturi Tube Back Ring	1	
27	7106651	O-Ring	1	
28	7106652	O-Ring	1	
29	7106653	Inlet Connector	1	
30	7106654	Nut	1	
31	7000123	Filter Gasket	1	
32	7106655	U-Pin	1	
33	7106630	O-Ring	1	Venturi Tube Kit
		Checking Valve Core		
		Checking Valve Spring		
		Nozzle		
		O-Ring		
		Venturi Tube		
O-Ring				
34		Pump Head	1	
35	7101359	Thermal Relief Valve	1	

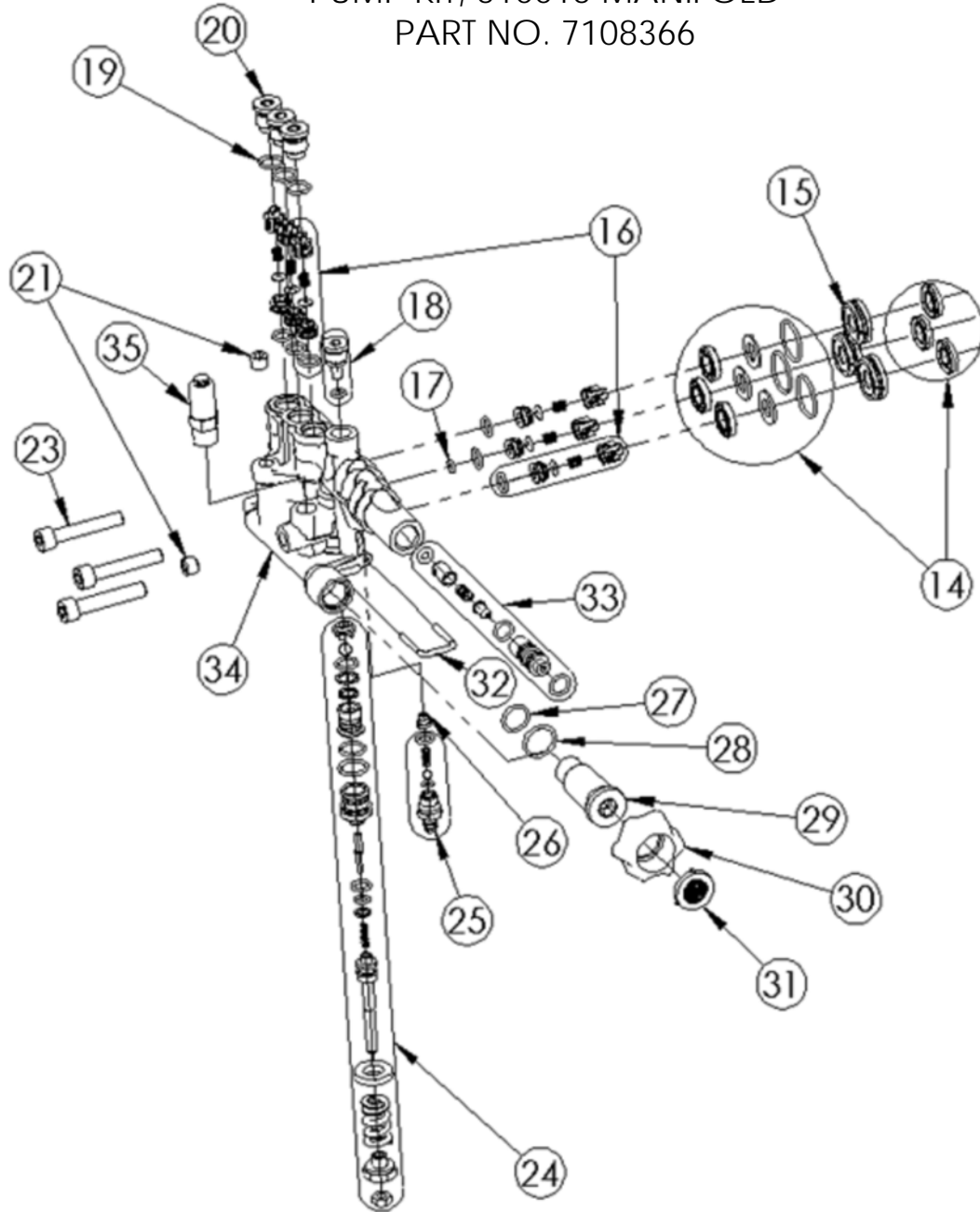


PUMP KIT, 510015 CRANKCASE
PART NO. 7108392

510015 PUMP EXPLOSION DRAWING PARTS LIST

ITEM	PART NO.	PART NAME	QTY PER PUMP	COMMENT
1		Case	1	
2		Oil seal	1	
3		Thrusting Bearing 2	1	
4		Wobble Plate	1	
5		Thrusting Bearing 1	1	
6		Clip	3	
7		Spring Base	3	
8		Plunger	3	
9		Spring	3	
10		O-Ring	1	
11		Plunger Base	1	
12		Oil Seal	3	Oil Seal Kit
13		Back Ring	3	
22		Screw	3	

PUMP KIT, 510015 MANIFOLD
PART NO. 7108366



510015 PUMP EXPLOSION DRAWING PARTS LIST

ITEM	PART NO.	PART NAME	QTY	COMMENT
14		High Pressure Water Seal	3	Water Seal Kit
		Back Ring		
		O-Ring		
		Low Pressure Water Seal		
15		Back Ring	3	
16		Valve Case	6	Valve Kit (INLET AND OUTLET)
		Spring		
		Valve Plate		
		Valve Seat		
		O-Ring		
17		O-Ring	1	
18		Boost Plug	1	Boost Plug Kit
		O-Ring		
19		O-Ring	3	
20		Plug	3	
21		Plug	2	
23		Screw	3	
24		Nut	1	Unloader Kit
		Adjusting Nut		
		Spring		
		Seating Ring		
		Valve Sheath		
		O-Ring		
		O-Ring		
		Checking Ring		
		O-Ring		
		Valve Pole		
		Spring		
		Checking Ring		
		O-Ring		
		Pin		
		Upper Seat		
		Checking Ring		
	O-Ring			
	Steel Ball			
	Back Seat			
25		Nozzle	1	Soap Injector Kit
		O-Ring		
		O-Ring		
		Steel Ball		
		Spring		
26		Venturi Tube Back Ring	1	
27		O-Ring	1	
28		O-Ring	1	
29		Inlet Connector	1	
30		Nut	1	
31		Filter Gasket	1	
32		U-Pin	1	
33		O-Ring	1	Venturi Tube Kit
		Checking Valve Core		
		Checking Valve Spring		
		Nozzle		
		O-Ring		
		Venturi Tube		
	O-Ring			
34		Pump Head	1	
35		Thermal Relief Valve	1	